

MOBILE ACCESS

DUO

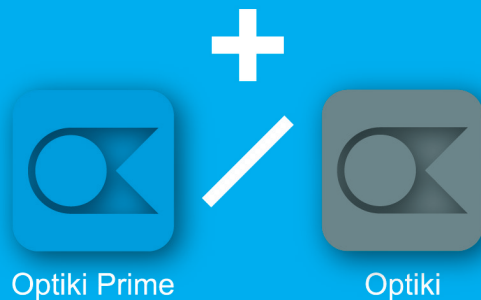


KILAX

KiLax Limited

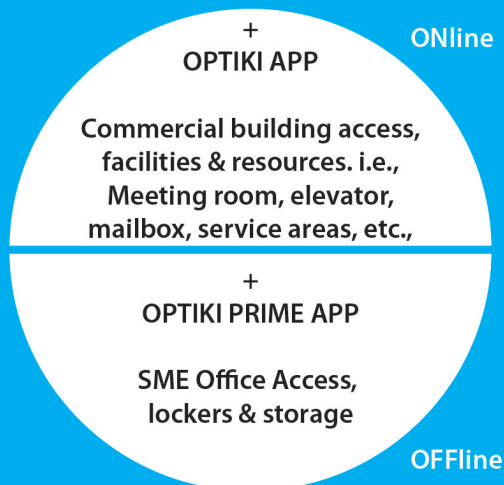
MOBILE ACCESS

DUO



OPTIKI SOLUTIONS

Comprehensive enterprise resources



Simple & fast @ low Budget

www.kilaxworld.com

Overview

Powered by Optiki Mobile Access

Optiki DUO gives superior functionality with Optiki empowered mobile access and ID card system. The system is designed to provide stylish mobile access that you would ever experience.

Optiki Technology

A HONG KONG home growth technology, mobile access key is crafted into optical coding. Each Optiki code is uniquely encrypted from up to 281 trillion combinations. A superb security mobile access control.

Reasons to select mobile access Optik DUO

Field proven reliability

- Optiki Duo is built-in parallel with ID Card reader, it is ideally caring also for non-mobile user. Optiki products are installed in diverse applications and is ready to reduce your key problems. Saving physical key!

Convenience and cost savings

- Hearty built to suit new or existing access system upgrades
- Verification is just over a second makes it ideal for vast applications
- Lower operation costs and less admin staff face to face handling credential registration. Distancing doesn't matter!
- Enhance facilities booking, optional, with auto mobile key distribution
- Lower purchase expenses and environmental friendly, less new and replenishing ID Card
- Less lost, stolen or unauthorized ID Card
- Low initial budget, compatible to most access control e-locks, no additional data port and simple engineering works

Avoid sensitive privacy data

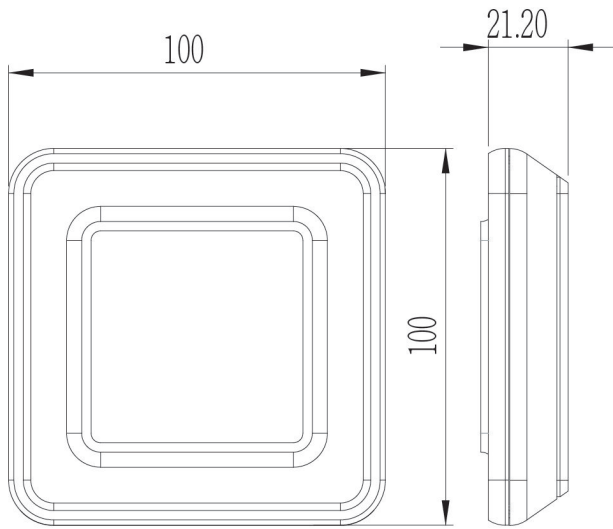
- Use of mobile technology, no sensitive biometric data, and user would not leave any trace of fingerprints, face, palm or hand geometry to any other party

Simple but Versatility

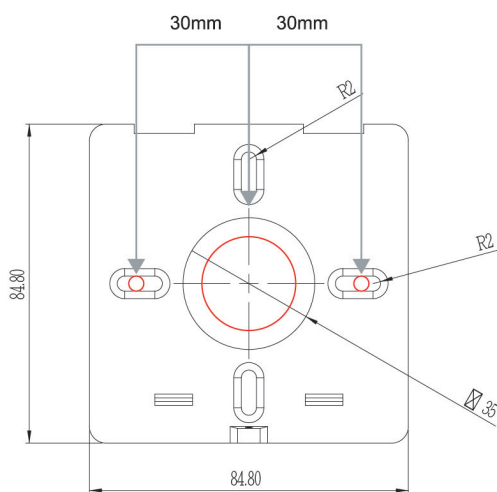
- Engineered virtually for every electric door. Industrial access control standard for both low- or high-level system integration
- Secure access control and registered user application facilities management and automatic mobile key distribution
- Expandable in passenger elevator, check-in counter, storage lockers, mailboxes and customize resource sharing solutions. One APP for all!
- Multiple location access and control. Unlimited number of access points and visitors

MOBILE ACCESS

DUO



Reader Size



Mounting holes dimensions

Overview

Features and benefits

- Optiki Duo is flexible to run as a standalone or completed with full access controller
- Shares the ID format as ID Card system and seamless access control management
- Multiple choices of mobile applications or SDK

Optiki Prime APP

One simple and high efficient tool for Optiki system set up, Master and Guest access right control all done at a fingertip.

- Master Key and Guest key distributed by QR code for easy APP installation
- Guest key with validity time control and restricted for second share
- Lightning fast APP activation for mobile access

Optiki APP

Alternative APP with a web-based admin portal on Cloud. Effective access control for registered user and premises service.

- Backend portal suitable for high floating user number
- Facilities booking, user chat, token transactions, coupon/events, promotion banner, admin notifications, in-APP payment etc.
- Offsite monitor multiple premises occupancy
- Resources sharing platform for private and business applications

Optiki SDK

Ready for native APP development, customize your facilities applications. BYO APP!

Optiki web browser key for ultra-fast visitor pass, a brand new high secure but convenient mobile access without loading an App. It will be available early 2021* in Optiki App or for SDK development.

Standalone or Fully integrated

New to mobile access and keeping an ID Card – Standalone system
Optiki DUO matches your needs to take care also non-mobile user. Perfect for SME, premises with rotating users for co-workspace and multiple access location.

Conversion from existing keypad or extension an ID card system is fast and easy.

Please contact us to discuss further on your access control management integration

MOBILE ACCESS DUO

MODEL
Description

Verification time
Communications
Inputs
Outputs

Dimensions(H x W x D)
Power requirements
Weight
Temperature
Humidity

OPTIKI DUO (202)
OPTIKI access with mobile
+ RFID ID Card
1 to 1.5 second
OPTIKI/RFID-MIFARE
Standard Optiki / ID Card
Door control: Lock output
(Default Normal Open/NO)
Optional RS485 or Wiegand
100 x 100 x 21 mm
12 VDC
103g without wall plate
-10 to +60 deg C.
40%-80%

Mobile & App

Mobile APP	: Optiki/ Optiki Prime (iOS & Android)
Mobile Operation System	: Apple iOS (ver. 12 or later) Android (ver. 6.0 or later)
Screen type	: Full HD 256 Colour Screen or eqv.
Screen Intensity	: 100% (App Auto)
Screen Protector	: Not recommend with anti-spy or colour filter
ID Card Reader	: 13.56 & 125kHz
ID Card	: Contactless MIFARE Standard

Product performance might be different according to mobile brand, model and configuration condition.

Mounting

